



Avangard®

CATALOGUE OF 2019

3850

**Sports facilities
are equipped with
our chairs and stands**

19

**Sports arenas
of 27th Universiade
in Kazan**

13

**We have shipped our products
to 13 countries**

9

**Sports venues
of 22nd Olympic Games
in Sochi**

6

**Stadiums
of 2018 FIFA World Cup
in Russia**

3

**Ice Hockey
World Championships**



Stadium
chairs



Fast-track
stands



Demountable
stands



Stands
with canopies



Telescopic
bleachers

Contents

About us	2
Stadium chairs	
Avangard	4
Forward	6
Ultra	8
Real	9
Olympic	10
Splav	11
Tip-up chairs	
Olimpiya	12
Olimpiya 2	13
Sparta	14
Status	16
Etalon	18
Etalon-M	19
Pobeda	20
Pobeda-M	21
Siluet	22
Siluet-M	23
Elegant	24
Elegant-M	26
Style	27
Kompakt	28
Argentina	29
Stands	
Demountable stands	30
Fast-track stands	32
Telescopic bleachers	34
Roofs and canopies	36
Sports facilities construction works	38
Additional equipment	
Benches for substitutes	42
Player's tunnel	43
Sportsmen dressing rooms	44
Dressing rooms	45
Fencing	46
Media desks	48



About us

“Avangard” company is the leader in construction and reconstruction of sports facilities in Russia.

During company lifetime we've delivered our products to over 3850 sports facilities in Russia and near abroad. We've developed lots of standard solutions for stadiums, ice arenas, tennis courts, hors-riding tracks and sports and recreation centers.

Our own production base, modern technologies usage, working with quality materials allows us to achieve maximum efficiency in every project.

All our products pass through the tight control at each stage of production; it is all certificated and complies with international standards.

Today “Avangard” company has more than 200 high-skilled employees who got a rich experience at defense plants of Izhevsk city; own research and development department; modern production metal work and plastic molding lines with well-developed infrastructure and imported equipment.

Application of the efficient design systems and modeling principles allows us to take the leading places in sports facilities equipment of any level of complexity – from school stadium to international sports arenas.

All design solutions go through strict examination according to durability and compliance with the requirements of SNiP (Construction Norms and Regulations) and GOST (National State Standards).

Our advantages:

- Individual design
- Well-proven production technology
- Short production time
- Package solutions: from project to installation
- Easy to maintain
- Anti-vandal performance
- Tests for strength, endurance and dynamic load
- Operation temperature ranges from – 40 C to + 50 C
- Certification of all manufactured products

Our rules:

- We don't divide orders into “large” and “small”
- We don't divide projects into “simple” and “complicated”
- We work both with standard and unique projects
- We guarantee high reliability of the products
- We provide warranty and post-warranty service
- Original designer's solutions
- Guaranteed terms of production
- We implement any non-standard solutions based on customer's technical assignment

Projects

World Championships:

- FIFA 2018 World Cup in Russia
- World Championship FORMULA 1 Russian Grand Prix (Sochi, 2014)
- IIHF World U20 Championship (Ufa, 2013)
- Bandy World Championship (Kemerovo, 2007)
- World Hockey Championship (Latvia, Riga, 2006)

International Competitions:

- 28th Winter Universiade 2017 (Kazakhstan, Almaty, 2017)
- CEV U18 Beach Volleyball (Belarus, Molodechno, 2013)
- International Biathlon Tournament for the prize by Vitaliy Fatyanov (Petropavlovsk-Kamchatskiy, 2009-2010)
- Super Bowl on Table Tennis among the best sportsmen from Europe (St. Petersburg, 2009)
- XXIII Race Walking World Cup (Cheboksary, 2008)

FIFA 2018 World Cup in Russia:

- “Luzhniki” stadium (Moscow)
- “Kaliningrad” stadium (Kaliningrad)
- “Nizhny Novgorod” stadium (Nizhny Novgorod)
- “Samara Frena” (Samara)
- “Volgograd Arena” (Volgograd)
- “Ekaterinburg Arena” (Ekaterinburg)

XXII Winter Olympic games 2014, Sochi:

- «Adler-Arena» The Roofed Speed Skating Center
- «Sanki» Sliding Centre (bobsleigh, luge and skeleton track)
- Training Ice Arena for the ice hockey
- Figure Skating Training Centre
- «Rosa Khutor» Freestyle Center (seats on extra stands)
- «Rosa Khutor» Snowboard Park (seats on extra stands)
- «Rosa Khutor» Ski Center (seats on extra stands)
- «Laura» Biathlon & Ski Complex (seats on extra stands)
- «Fisht» Olympic Stadium (seats on extra stands)

XXVII World Summer Universiade 2013, Kazan:

- Tennis Academy
- Aquatics Palace
- Gymnastics Centre
- «Tulpar» Stadium
- Boxing Centre
- Rowing Centre
- «Vatan» Sports Complex
- «Kazan» Equestrian Complex. Riding hall
- «Sviyaga» Shooting Complex
- «Tulpar» Sports Complex
- «Forward» Sports Complex
- «Zilant» Multifunctional Sports Complex
- «Olymp» Stadium
- «Bustan» Sports Complex
- «Olympiets» Sports Complex
- «Moskva» Sports Complex
- «Tezuche» Sports Complex
- «Miras» Stadium
- «Burevestnik» swimming pool (training hall)

Central Stadiums and Ice Arenas:

- «Ufa-Arena» Comprehensive Sport Arena (Ufa)
- «Centralnyi» Stadium (Astrakhan)
- «Trud» Central stadium (Ulyanovsk)
- Central Republic Stadium (Izhevsk)
- «Druzhba» Central stadium (Yoshkar-Ola)
- Central Stadium (Kazan)
- Central Stadium n.a. 5th Anniversary of Soviet Tuva (Kyzyl)
- Central Stadium (Ulan-Ude)
- «Start» Center for Training in Summer Sports (Saransk)
- Central Stadium (Kazakhstan, Ust-Kamenogorsk)
- «Druzhba» Hockey Arena (Ukraine, Donetsk)
- «Izhstal» Ice Palace (Izhevsk)
- «Dizel Arena» Ice Palace (Penza)
- Ice Sports Palace (Saransk)
- «Yerofei» Ice Palace (Khabarovsk)
- «Neftyanik» Central Stadium (Ufa)
- Roofed Football Arena (Krasnoyarsk)



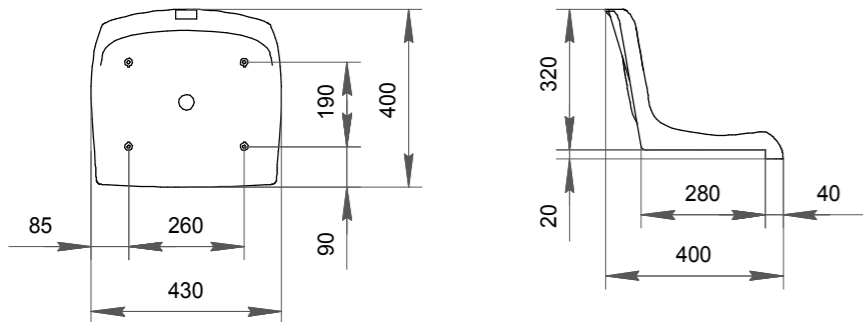
Stadium chair "Avangard"

The plastic chair is intended for the installation in both indoor and outdoor sports facilities (stadiums, ice arenas, sports complexes).

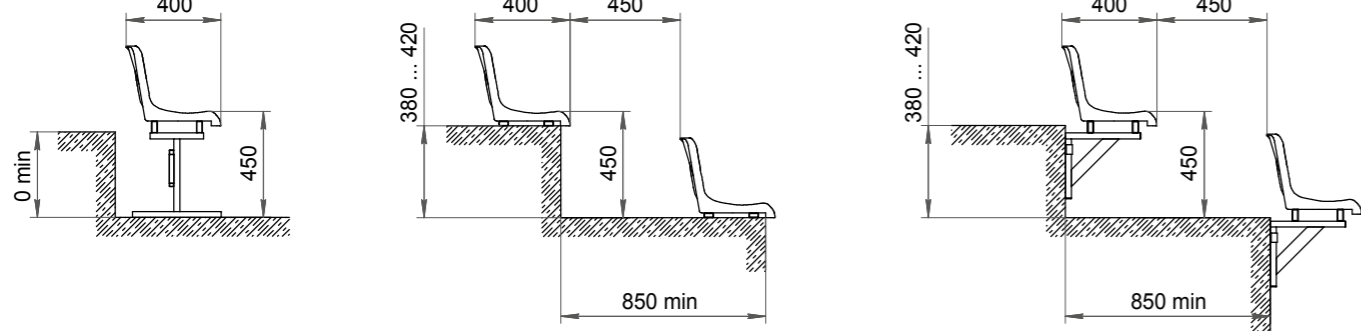


- Ergonomic design
- Budget choice
- Easy to install and maintain
- Installation on the various surfaces
- Anti-vandal performance
- Fastening of the chair with 4 screws
- Numeration of seats
- System of outflow
- Chairs' color - any color upon request
- Tested for strength, endurance, static load and wear resistance
- Operation temperature ranges from - 40 C to + 50 C
- UV-protected
- Can be made of materials slowing down the process of combustion
- Meets all FIFA and UEFA requirements
- Certificated

Overall and mounting dimensions



Installation schemes



Riga,
«ARENA RIGA» Ice arena



Valmiera,
«VIDZEME» Olympic Center



Kazan,
"Zilant" Sports complex



Izhevsk,
Central Republic Stadium



Krasnoyarsk,
«Lokomotiv» Stadium



Ulyanovsk,
"Trud" Central stadium



Ufa,
«Akbulat» Horse-Riding Arena



Novocheboksarsk,
Specialized Children and Youth Sports School of Olympic reserve № 3



Ufa,
«Dinamo» Universal Sport Area



Neryungri,
«Shakhter» Stadium



Krasnoyarsk,
«Krasnoye Kolco» Motor-Racing Area



Yoshkar-Ola,
«Druzhba» Central stadium



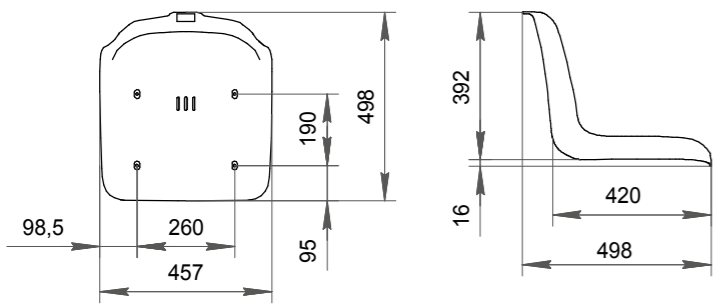
Stadium chair "Forward"

Extra-comfortable plastic chair is intended for the installation in both indoor and outdoor sports facilities (stadiums, ice arenas, sports complexes).

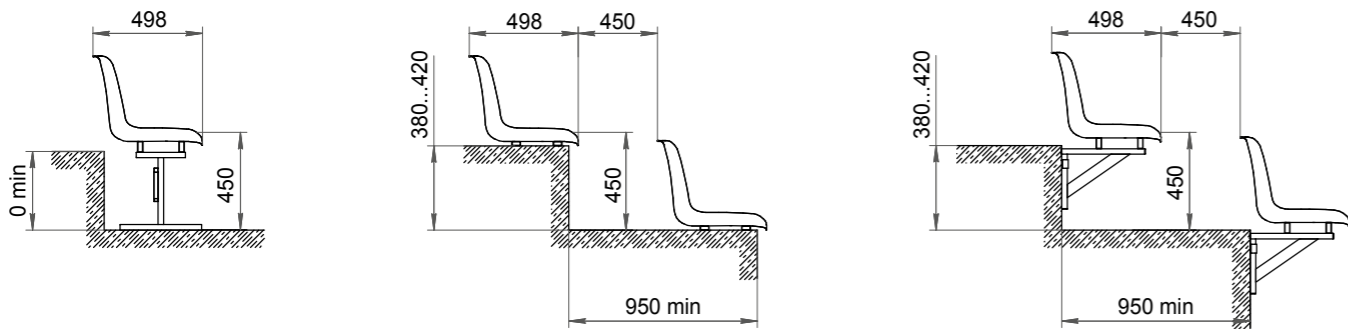


- Ergonomic, stylish design
- Enlarged dimensions for spectators comfort
- Easy to install and maintain
- Installation on the various surfaces
- Anti-vandal performance
- Fastening of the chair with 4 screws
- Numeration of seats
- System of outflow
- Chairs' color – any color upon request
- Tested for strength, endurance, static load and wear resistance
- Operation temperature ranges from – 40 C to + 50 C
- UV-protected
- Can be made of materials slowing down the process of combustion
- Meets all FIFA and UEFA requirements
- Certified

Overall and mounting dimensions



Installation schemes



Sochi, Winter Olympic games 2014, «Rosa Khutor» Snowboard Park



Kazan, Rack Shooting Complex



Izhevsk, Central Square



Suzdal, «Nikolaevski Posad» Art Hotel



Kazan, Tennis Academy



Sochi, Winter Olympic games 2014, «Rosa Khutor» Freestyle Center



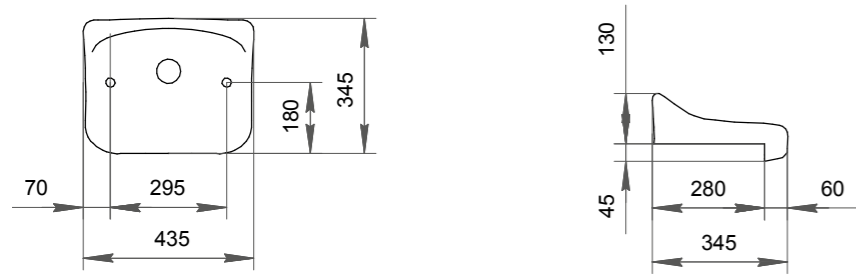
Stadium chair "Ultra"

The plastic chair is intended for the installation in both indoor and outdoor sports facilities (stadiums, ice arenas, sports complexes).

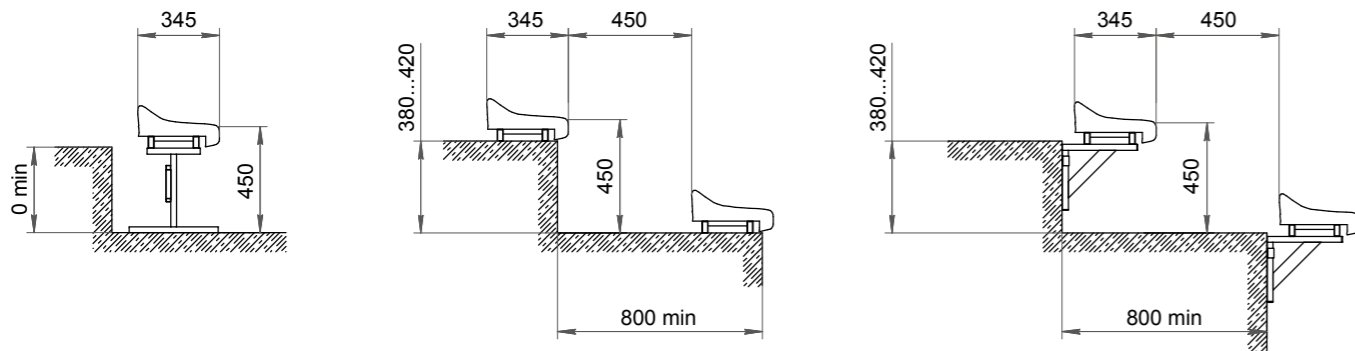
- Ergonomic design
- Budget choice
- Easy to install and maintain
- Installation on the various surfaces
- Anti-vandal performance
- Fastening of the chair with 2 screws
- Numeration of seats
- System of outflow
- Costs saving while transporting and storing
- Can be installed on telescopic bleachers with reduced row riser
- Chairs' color - any color upon request
- Tested for strength, endurance, static load and wear resistance
- Operation temperature ranges from - 40 C to + 50 C
- UV-protected
- Can be made of materials slowing down the process of combustion
- Certificated



Overall and mounting dimensions



Installation schemes



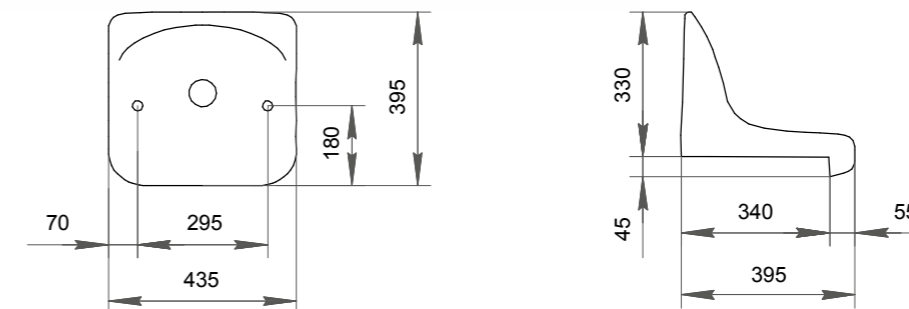
Stadium chair "Real"

The plastic chair is intended for the installation in both indoor and outdoor sports facilities (stadiums, ice arenas, sports complexes).

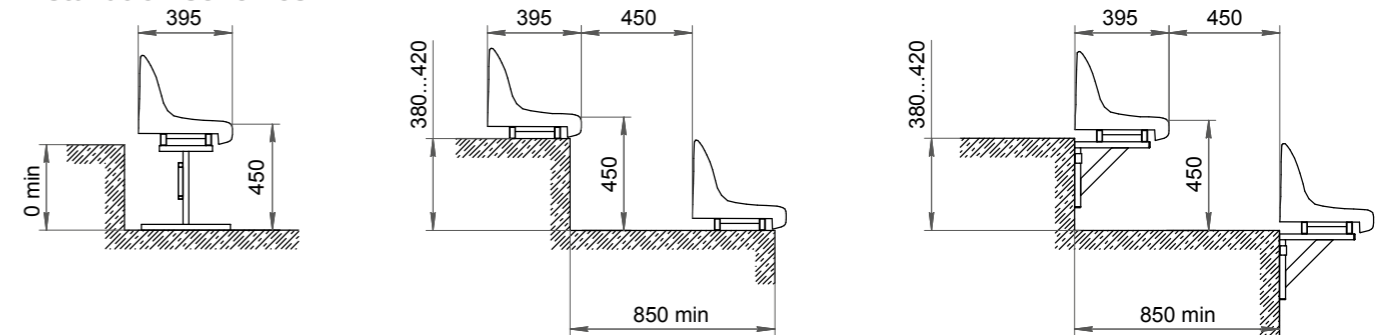
- Ergonomic design
- Easy to install and maintain
- Installation on the various surfaces
- Anti-vandal performance
- Fastening of the chair with 2 screws
- Numeration of seats
- System of outflow
- Chairs' color - any color upon request
- Tested for strength, endurance, static load and wear resistance
- Operation temperature ranges from - 40 C to + 50 C
- UV-protected
- Can be made of materials slowing down the process of combustion
- Meets all FIFA and UEFA requirements
- Certificated



Overall and mounting dimensions



Installation schemes



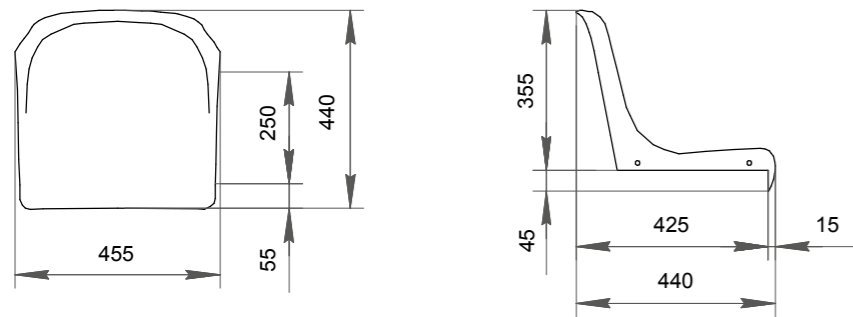
Stadium chair "Olympic"

The plastic chair is intended for the installation at indoor sports facilities (indoor arenas, ice arenas, sports complexes).

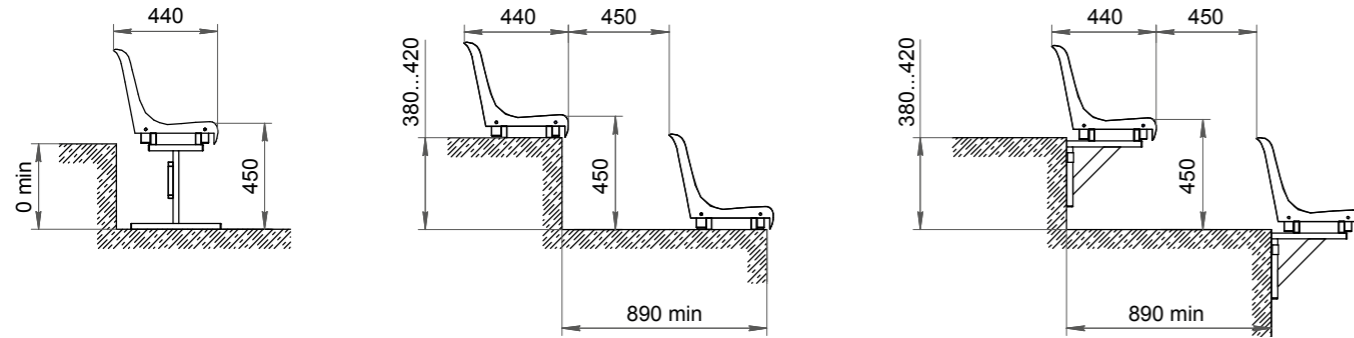


- Ergonomic design
- Indoor usage only
- Easy to install and maintain
- Installation on the various surfaces
- Anti-vandal performance
- Fastening of the chair with 4 screws on the sides
- Numeration of seats
- Chairs' color - any color upon request
- Tested for strength, endurance, static load and wear resistance
- Operation temperature ranges from - 40 C to + 50 C
- UV-protected
- Can be made of materials slowing down the process of combustion
- Meets all FIFA and UEFA requirements
- Certificated

Overall and mounting dimensions



Installation schemes



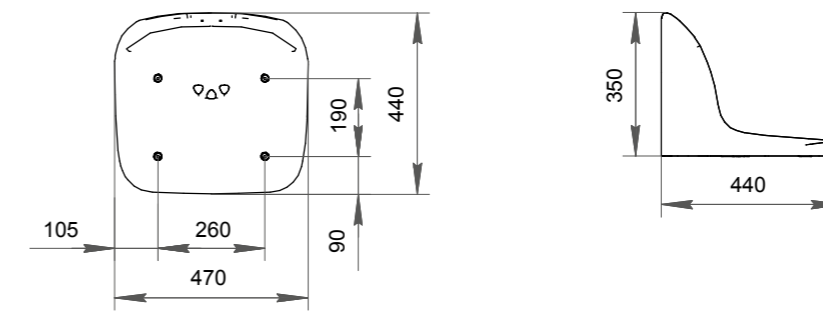
Stadium chair "Splav"

Extra-comfortable plastic chair is intended for the installation in both indoor and outdoor sports facilities (stadiums, ice arenas, sports complexes).

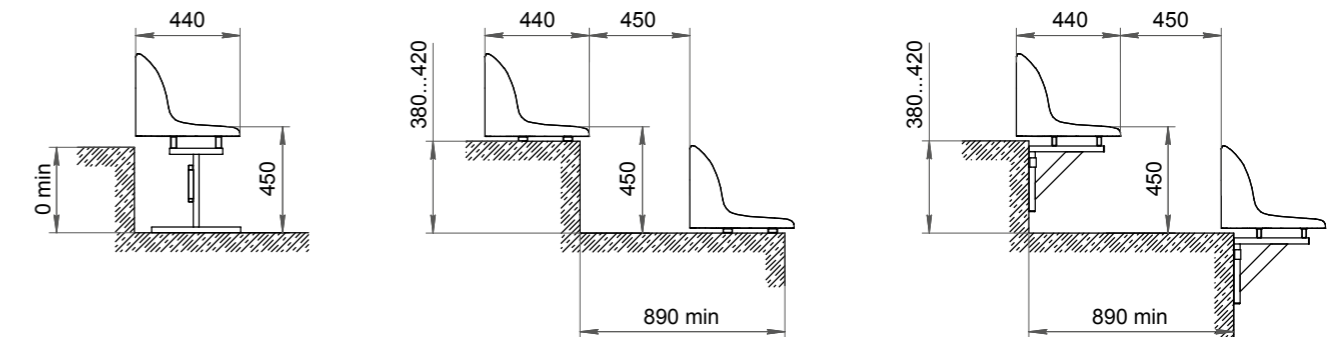


- Ergonomic, stylish and modern design
- Enlarged dimensions for spectators comfort
- Easy to install and maintain
- Installation on the various surfaces
- Increased anti-vandal performance
- Fastening of the chair with 4 screws
- Numeration of seats
- System of outflow
- Chairs' color - any color upon request
- Tested for strength, endurance, static load and wear resistance
- Operation temperature ranges from - 40 C to + 50 C
- UV-protected
- Can be made of materials slowing down the process of combustion
- Meets all FIFA and UEFA requirements
- Certificated

Overall and mounting dimensions



Installation schemes



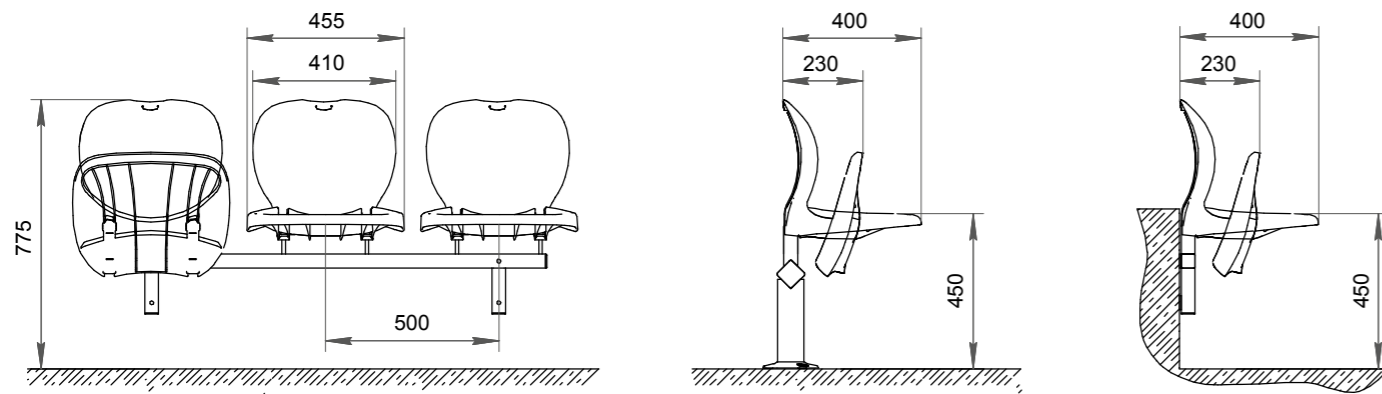
Tip-up stadium chair “Olimpiya”

Tip-up plastic chair is intended for the installation in both indoor and outdoor sports facilities (stadiums, ice arenas, sports complexes).



- Ergonomic, stylish and modern design
- Can be installed on the stands with narrow riser
- Easy to install and maintain
- Installation on the various surfaces
- Anti-vandal performance
- Numeration of seats
- Color of the metal frame and the seat shell – can be any upon request
- Tested for strength, endurance, static load and wear resistance
- Operation temperature ranges from – 40 C to + 50 C
- UV-protected
- Can be made of materials slowing down the process of combustion
- Meets all FIFA and UEFA requirements
- Certificated

Installation schemes and overall dimensions



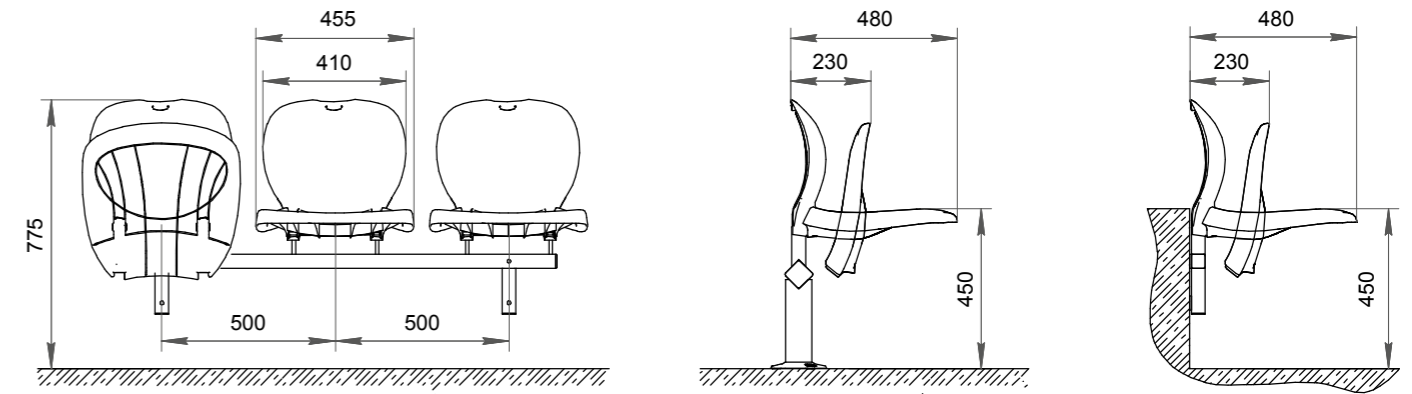
Tip-up stadium chair “Olimpiya 2”

Tip-up plastic chair is intended for the installation in both indoor and outdoor sports facilities (stadiums, ice arenas, sports complexes).



- Ergonomic, stylish and modern design
- Can be installed on the stands with narrow riser
- Enlarged dimensions for spectators comfort
- Easy to install and maintain
- Installation on the various surfaces
- Anti-vandal performance
- Numeration of seats
- Color of the metal frame and the seat shell – can be any upon request
- Tested for strength, endurance, static load and wear resistance
- Operation temperature ranges from – 40 C to + 50 C
- UV-protected
- Can be made of materials slowing down the process of combustion
- Meets all FIFA and UEFA requirements
- Certificated

Installation schemes and overall dimensions



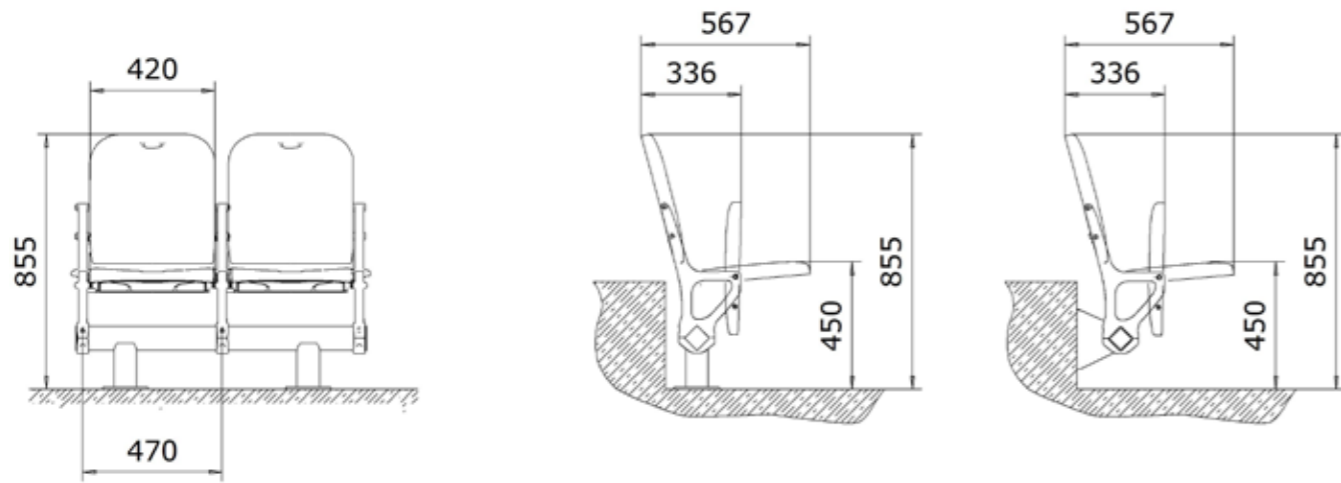
Tip-up stadium chair "Sparta"

Tip-up plastic chair is intended for the installation in both indoor and outdoor sports facilities (stadiums, ice arenas, sports complexes).



- Ergonomic, stylish and sharp design
- Easy to install and maintain
- Installation on the various surfaces
- Anti-vandal performance
- Numeration of seats
- Color of the metal frame and the seat shell – can be any upon request
- Tested for strength, endurance, static load and wear resistance
- Operation temperature ranges from – 40 C to + 50 C
- UV-protected
- Can be made of materials slowing down the process of combustion
- Meets all FIFA and UEFA requirements
- Certificated

Installation schemes and overall dimensions



Ufa,
«Akbulat» Horse-Riding Arena



Saint-Petersburg,
«Petrovskiy» Stadium



Kazan,
Central Stadium



Sochi,
Formula 1 Russian Grand Prix 2014



Kemerovo,
«Himik» Ice Palace



Gelendzhik,
Concert Open-Air Arena



Cherepovetz,
Ice Sports Palace



Novosibirsk,
Football Arena



Kazan,
«Tulpar» Sport Complex



Ekaterinburg,
Central Stadium



Kaliningrad,
Volleyball Center



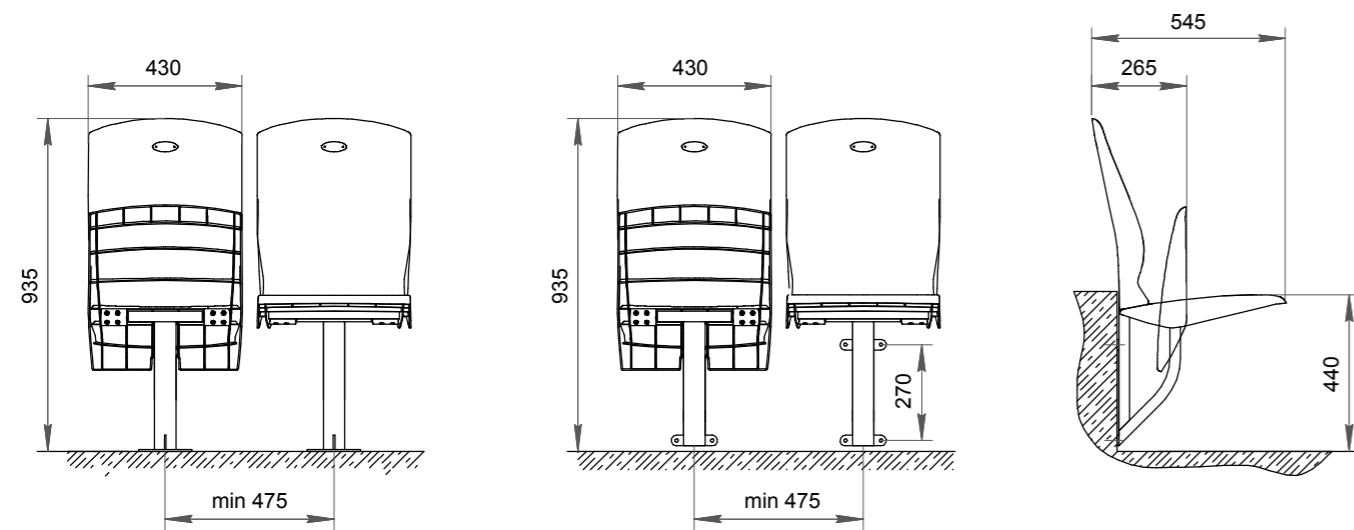
Tip-up stadium chair "Status"

Tip-up plastic chair is intended for the installation in both indoor and outdoor sports facilities (stadiums, ice arenas, sports complexes).



- Ergonomic, stylish and modern design
- Designed for enhanced spectators comfort
- Easy to install and maintain
- Installation on the various surfaces
- Anti-vandal performance
- Numeration of seats
- Color of the metal frame and the seat shell – can be any upon request
- Tested for strength, endurance, static load and wear resistance
- Operation temperature ranges from – 40 C to + 50 C
- UV-protected
- Can be made of materials slowing down the process of combustion
- Meets all FIFA and UEFA requirements
- Certificated

Installation schemes and overall dimensions



Kazan,
Aquatics Palace



Kazan,
Aquatics Palace



Krasnoyarsk,
«Arena Sever» Ice Palace



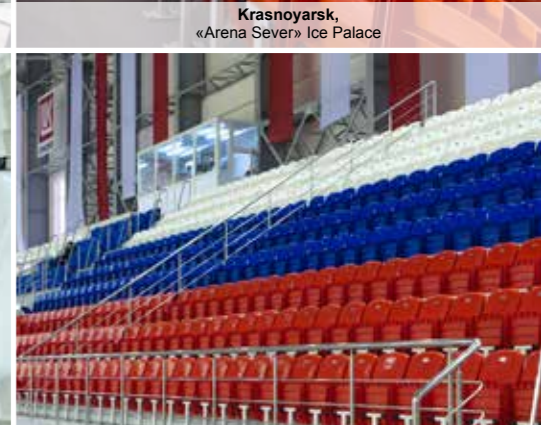
Krasnoyarsk,
«Arena Sever» Ice Palace



Perm,
Sports Complex



Perm,
Sports Complex



Perm,
Sports Complex



Donetsk, «Donbass» Hockey Club

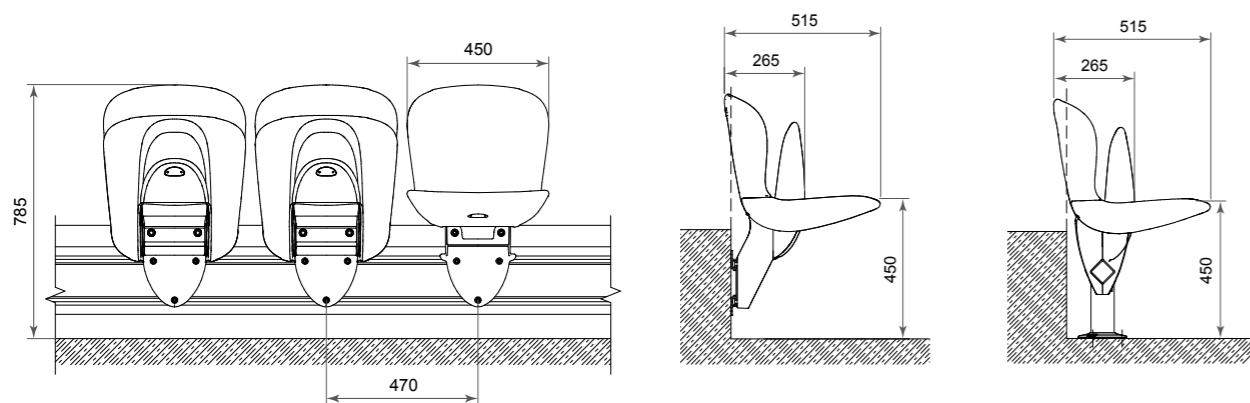
Tip-up stadium chair “Etalon”

Tip-up plastic chair is intended for the installation in both indoor and outdoor sports facilities (stadiums, ice arenas, sports complexes).



- Ergonomic and modern design
- Designed for enhanced spectators comfort
- Easy to install and maintain
- Installation on the various surfaces
- Anti-vandal performance
- Numeration of seats
- Color of the metal frame and the seat shell – can be any upon request
- Tested for strength, endurance, static load and wear resistance
- Can be made of materials slowing down the process of combustion
- Meets all FIFA and UEFA requirements
- Certificated

Installation schemes and overall dimensions



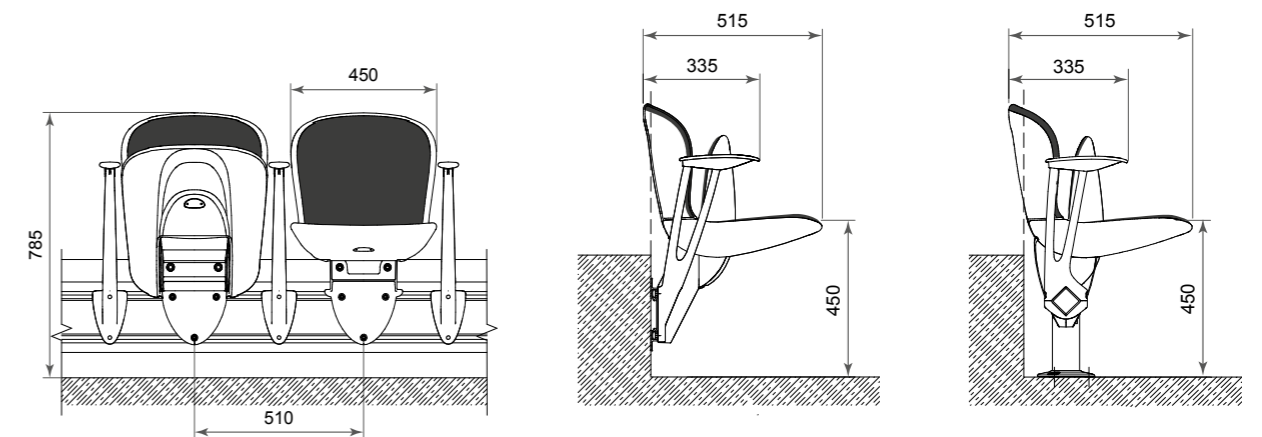
Semi-upholstered tip-up stadium chair “Etalon-M” with an armrest

The plastic chair is intended for the installation in both indoor and outdoor sports facilities (stadiums, ice arenas, sports complexes).



- Ergonomic and modern design
- Foldable armrest included
- Designed for enhanced spectators comfort
- Easy to install and maintain
- Installation on the various surfaces
- Anti-vandal performance
- Numeration of seats
- Color of the metal frame and the seat shell – can be any upon request
- Tested for strength, endurance, static load and wear resistance
- Can be made of materials slowing down the process of combustion
- Meets all FIFA and UEFA requirements
- Certificated

Installation schemes and overall dimensions



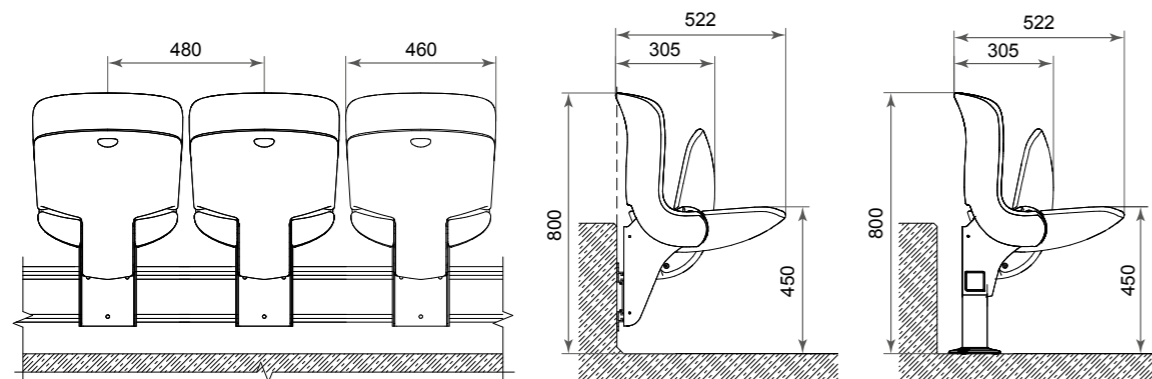
Tip-up stadium chair “Pobeda”

Tip-up plastic chair is intended for the installation in both indoor and outdoor sports facilities (stadiums, ice arenas, sports complexes).



- Ergonomic and modern design
- Designed for enhanced spectators comfort
- Easy to install and maintain
- Installation on the various surfaces
- Anti-vandal performance
- Numeration of seats
- Color of the metal frame and the seat shell – can be any upon request
- Tested for strength, endurance, static load and wear resistance
- Can be made of materials slowing down the process of combustion
- Meets all FIFA and UEFA requirements
- Certificated

Installation schemes and overall dimensions



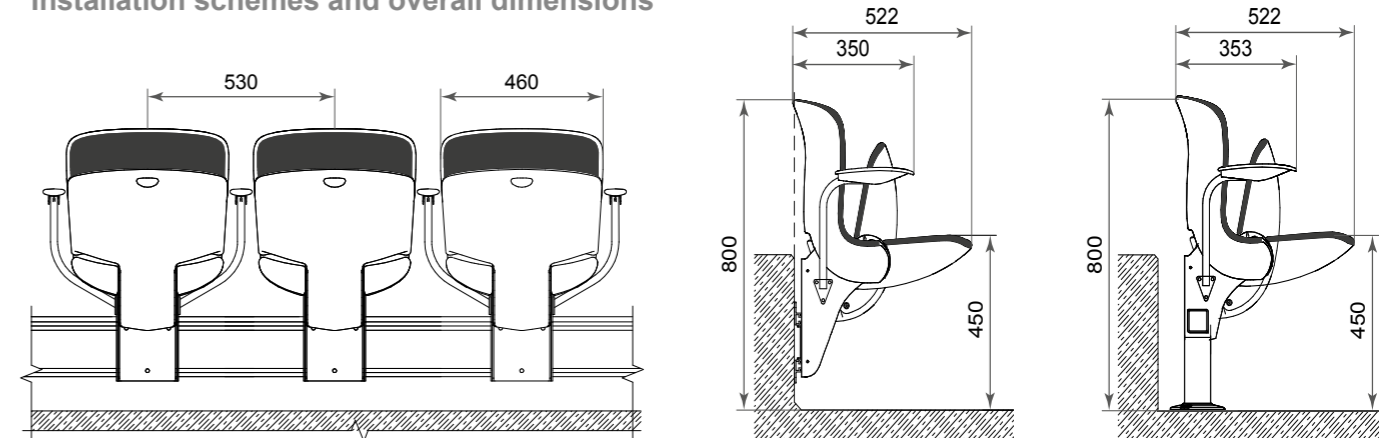
Semi-upholstered tip-up stadium chair “Pobeda-M” with an armrest

The plastic chair is intended for the installation in both indoor and outdoor sports facilities (stadiums, ice arenas, sports complexes).



- Ergonomic and modern design
- Foldable armrest included
- Designed for enhanced spectators comfort
- Easy to install and maintain
- Installation on the various surfaces
- Anti-vandal performance
- Numeration of seats
- Color of the metal frame and the seat shell – can be any upon request
- Tested for strength, endurance, static load and wear resistance
- Can be made of materials slowing down the process of combustion
- Meets all FIFA and UEFA requirements
- Certificated

Installation schemes and overall dimensions



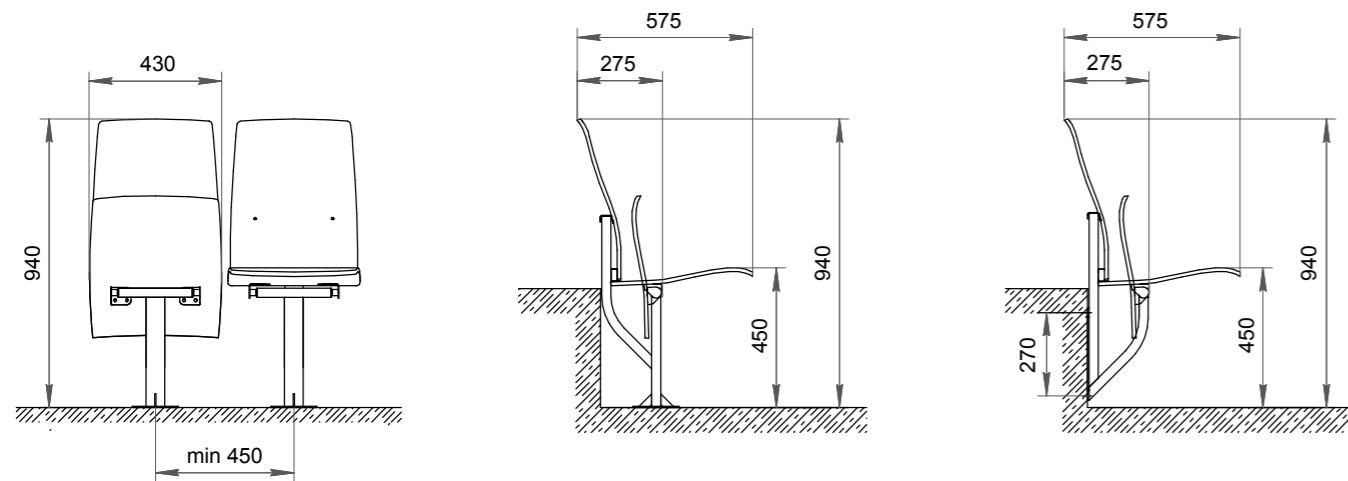
Tip-up stadium chair “Siluet”

Tip-up plastic chair is intended for the installation at indoor sports facilities (ice arenas, sports complexes).



- Ergonomic and eco design
- Easy to install and maintain
- Installation on the various surfaces
- Anti-vandal performance
- Numeration of seats
- Color of the metal frame – can be any upon request
- Tested for strength, endurance, static load and wear resistance
- Can be made of materials slowing down the process of combustion
- Certificated

Installation schemes and overall dimensions



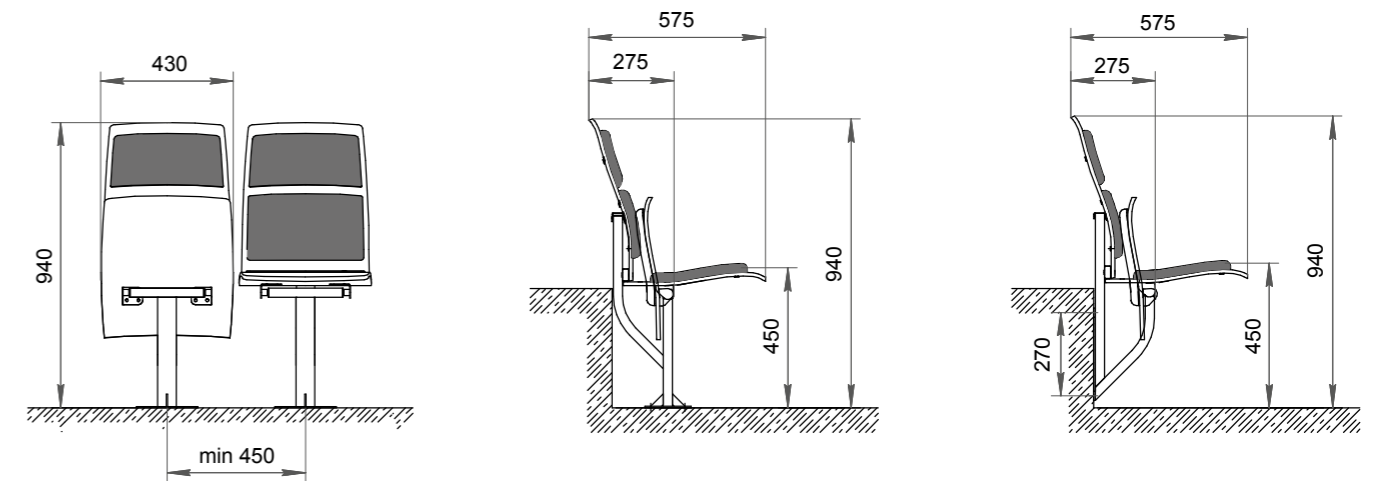
Semi-upholstered tip-up stadium chair “Siluet-M”

The chair is intended for the installation at indoor sports facilities (ice arenas, sports complexes).



- Ergonomic and eco design
- Designed for enhanced spectators comfort
- Easy to install and maintain
- Installation on the various surfaces
- Anti-vandal performance
- Numeration of seats
- Color of the metal frame and upholstery – can be any upon request
- Tested for strength, endurance, static load and wear resistance
- Can be made of materials slowing down the process of combustion
- Certificated

Installation schemes and overall dimensions



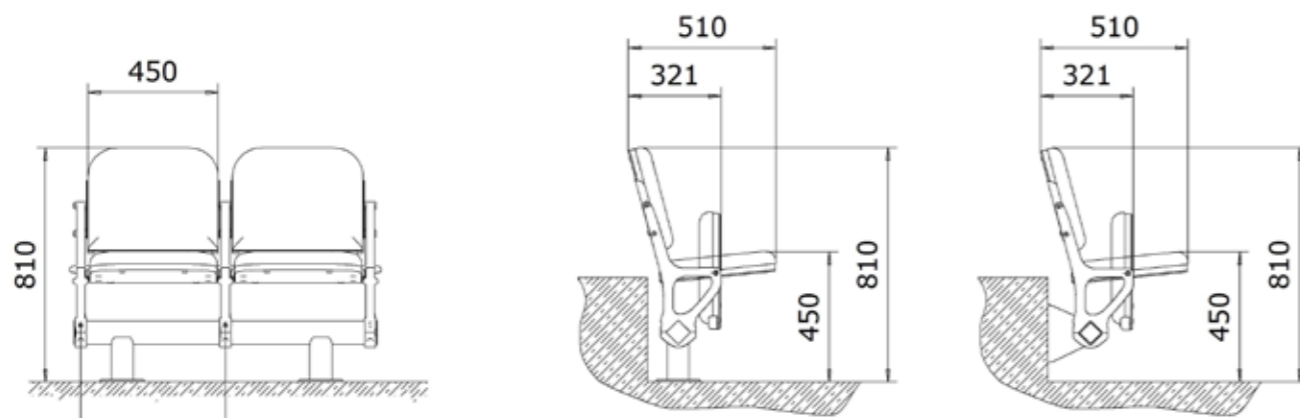
Semi-upholstered tip-up stadium chair “Elegant”

The chair is intended for the installation at indoor sports facilities (ice arenas, sports complexes).



- Ergonomic and sharp design
- Easy to install and maintain
- Installation on the various surfaces
- Anti-vandal performance
- Numeration of seats
- Color of the metal frame and upholstery – can be any upon request
- Tested for strength, endurance, static load and wear resistance
- Can be made of materials slowing down the process of combustion
- Certificated

Installation schemes and overall dimensions



Ufa,
«Ufa-Arena» Comprehensive Sport Arena



Ufa,
«Ufa-Arena» Comprehensive Sport Arena



Ufa,
«Ufa-Arena» Comprehensive Sport Arena



Egorjevsk,
«Egorjevsk» Ice Sports Palace



Saransk,
Ice Sports Palace



Saransk,
Ice Sports Palace



Elabuga,
Athletics Centre



Kazan,
Tennis Academy



Salavat,
«Salavat» Sports Center



Penza,
«Dizel Arena» Ice Palace



Penza,
«Dizel Arena» Ice Palace



Penza,
«Dizel Arena» Ice Palace



Tolyatti, «Lada-Arena» Ice Sports Palace

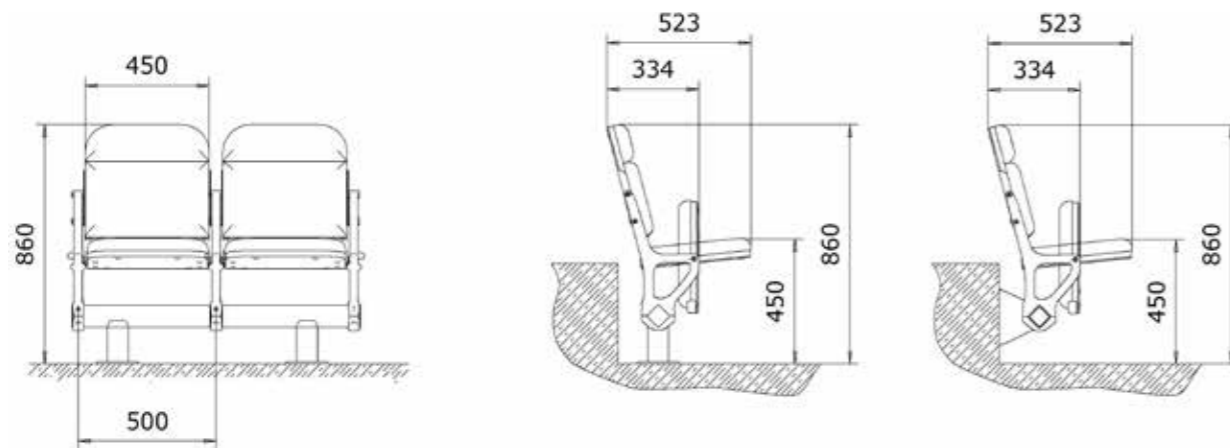
Semi-upholstered tip-up stadium chair “Elegant-M”

The chair is intended for the installation in both indoor and outdoor sports facilities (stadiums, ice arenas, sports complexes).



- Ergonomic and stylish design
- Designed for enhanced spectators comfort
- Easy to install and maintain
- Installation on the various surfaces
- Anti-vandal performance
- Numeration of seats
- Color of the metal frame and upholstery – can be any upon request
- Tested for strength, endurance, static load and wear resistance
- Can be made of materials slowing down the process of combustion
- Certificated

Installation schemes and overall dimensions



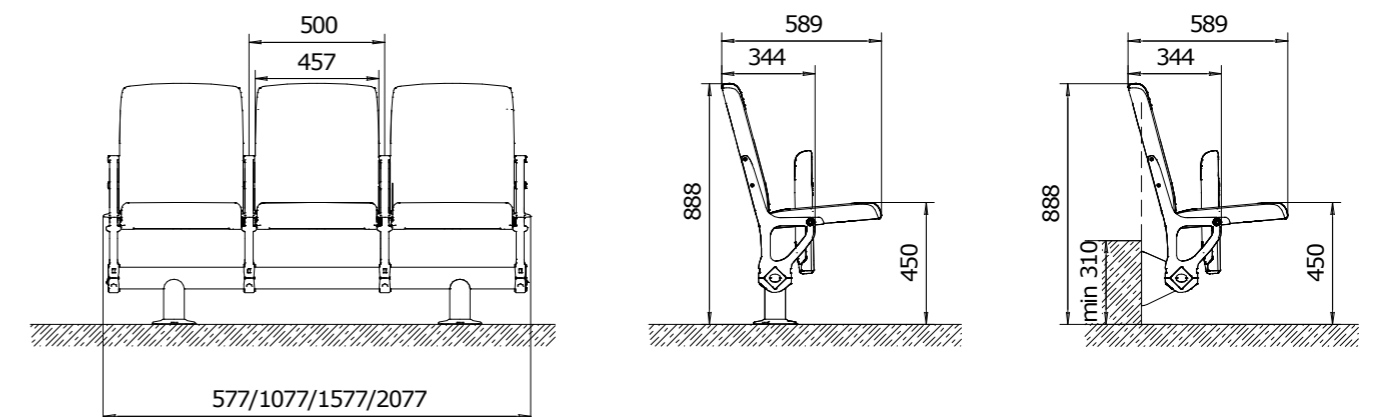
Semi-upholstered tip-up stadium chair “Style”

The chair is intended for the installation in both indoor and outdoor sports facilities (stadiums, ice arenas, sports complexes).



- Ergonomic and modern design
- Designed for enhanced spectators comfort
- Easy to install and maintain
- Installation on the various surfaces
- Anti-vandal performance
- Numeration of seats
- Color of the metal frame and upholstery – can be any upon request
- Tested for strength, endurance, static load and wear resistance
- Can be made of materials slowing down the process of combustion
- Certificated

Installation schemes and overall dimensions



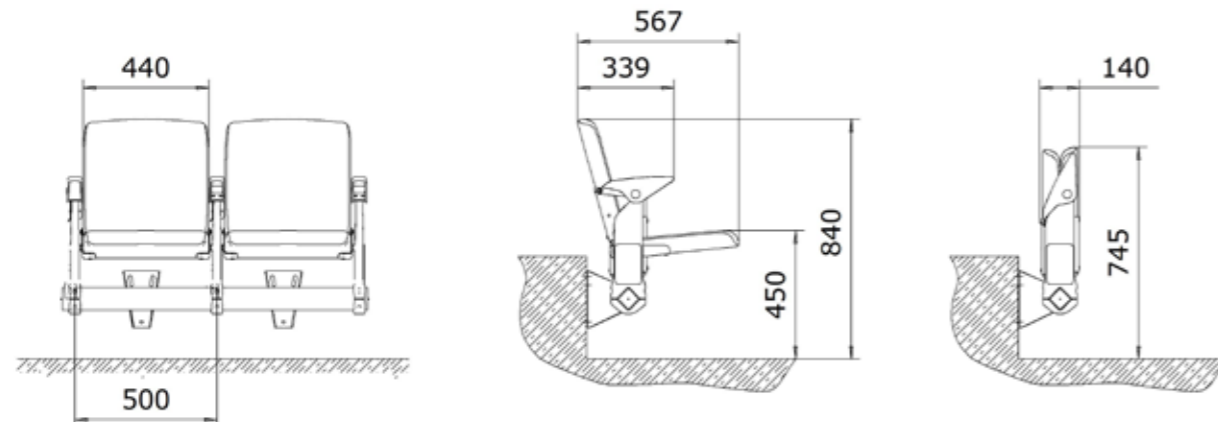
Semi-upholstered tip-up stadium chair “Kompakt”

The chair is intended for the installation in both indoor and outdoor sports facilities (stadiums, ice arenas, sports complexes).



- Ergonomic and modern design
- Designed for enhanced spectators comfort
- Easy to install and maintain
- Installation on the various surfaces
- Anti-vandal performance
- Numeration of seats
- Color of the metal frame and upholstery – can be any upon request
- Tested for strength, endurance, static load and wear resistance
- Can be made of materials slowing down the process of combustion
- Certificated

Installation schemes and overall dimensions



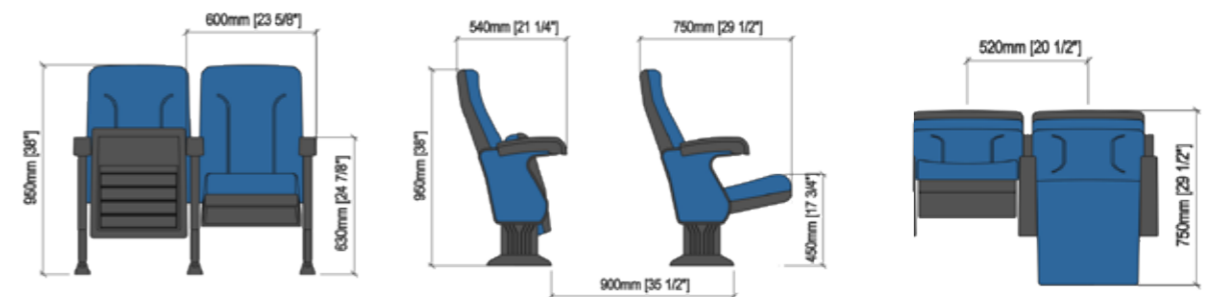
Lounge tip-up chair “Argentina”

The chair is of V.V.I.P. category and intended for the maximum level of spectator's comfort during various events. To be installed in both indoor and outdoor sports facilities (under the roof or canopy).



- Perfect quality of “Euro Seating” company (Spain)
- Foldable seat with a double spring (12000 tip-up cycles without structural damage)
- Seat retracting mechanism with set angle of 90 degree
- Upholstered parts made of fire resistant polyurethane foam
- Foldable armrest with a cup holder in is optional
- Rear cover of backrest and seat made of anti-vandal plastic
- Meets all FIFA and UEFA requirements
- Certificated

Installation schemes and overall dimensions



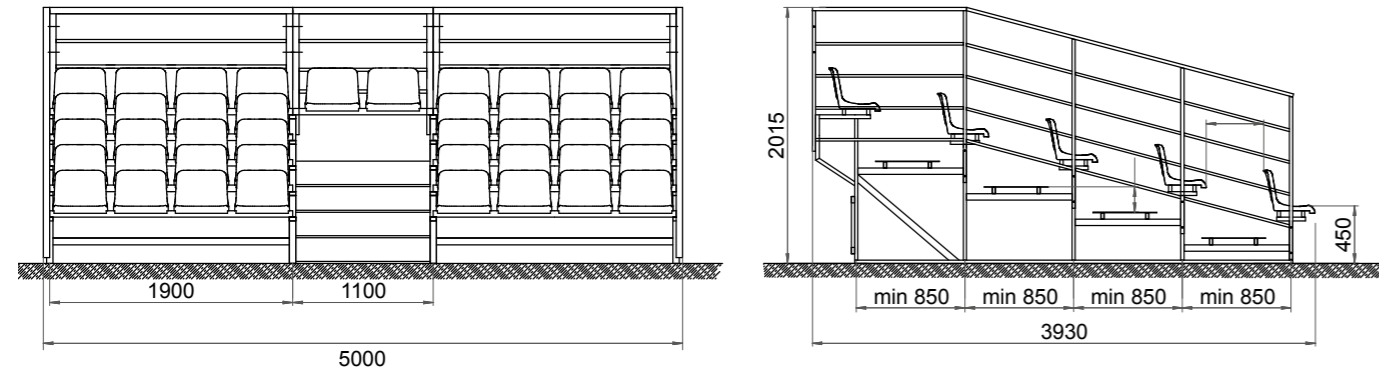
Demountable stands

The stand is intended for installation in both indoor and outdoor sports facilities.



- The stands are manufactured in accordance with a project designed by a licensed organization.
- The stands are produced from metal rectangular tubes
- Hot galvanized frame coating is optional
- Modularity of the construction allows reducing time of the installation maximally.
- Unlimited number of modules lengthwise.
- Floor and stair flights boarding is made of metal checkered sheet (plywood with antislip coating is optional)
- The stand can be lifted up to 1500 mm over the base (for more convenient watching over the boards of hockey box, advertisement hoarding and others)

Installation schemes and overall dimensions



Design versions



Znamensk,
Central Square



Bolym village,
Sverdlovskaya region, Tennis Centre YGMK



Stavropol,
«Dynamo» Central Stadium



Adler,
«Togliatti-Tryuk» Racing Area



Ulan-Ude,
Central Square, 65th Anniversary of The Victory Day



Yoshkar-Ola,
Tennis Center



Syzran,
«Syzran-2003» FC



Cheboksary,
Sports Competition



Moscow,
Area for Beach Sports Activities



Tiraspol,
«Snezhinka» Ice Rink



Odessa,
«Odessa» Basketball Club



Konakovo,
Sports Complex



Fast-track stands

Fast-track stands have the same specifications as demountable stands and also a set of advantages:

- The stands are manufactured in accordance with a project designed by a licensed organization.
- Easy to install using original mount system of stand elements
- Possibility to manufacture stands with the number of rows up to 30, while the sizes of components will be constant, which will ease the transportation.
- Possibility to manufacture corner (round) shaped stands.
- Structural stiffness while minimal metal consumption.
- Possibility of quick stand demounting and moving it to another site.
- Possibility of stand installation on uneven surfaces because of adjustable supports.
- Possibility to change stand configuration on-the-fly
- Stand may be lifted up over the base up to 2 300mm (for more convenient watching over the boards of hockey box, advertisement hoarding and others)
- Hot galvanized frame coating is optional
- Floor and stair flights boarding is made of metal checkered sheet (plywood with antislip coating is optional)

Standard version



Stands with 400 mm difference between the rows



Stands with lift-up



Saransk, «Start» Center for Training in Summer Sports



Uchaly, «Gornyak» Central Stadium



Kyzyl, Central Stadium n.a. 5th Anniversary of Soviet Tuva



Izhevsk, Dolphinarium



Petropavlovsk-Kamchatskiy, Biathlon Sportcomplex



Chita, Central Square, 65th Anniversary of The Victory



Kazan, «Tylpar» Stadium



Izhevsk, Central Square



Kazan, Tennis Academy

Telescopic bleachers

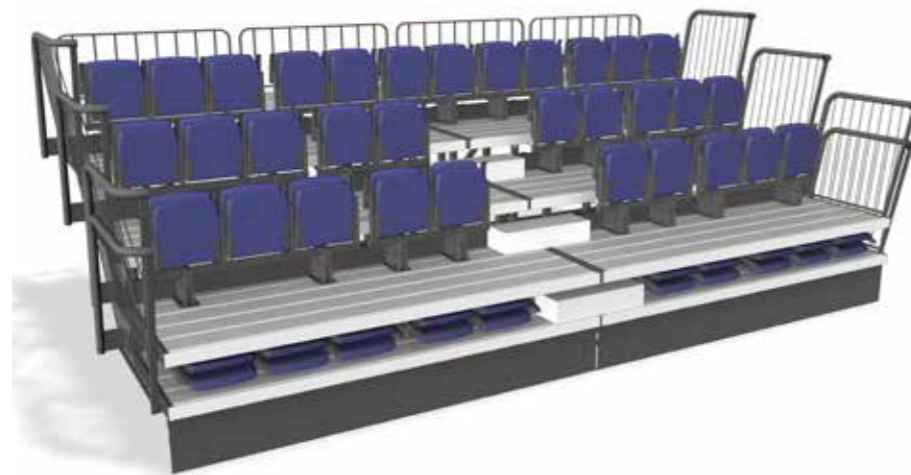
Telescopic bleacher is intended for application in indoor sports facilities in order to use the space of a room more efficiently.

- Bleachers from 3 to 22 rows made of metal rectangular tube with polymer coating, which ensures high corrosion resistance.
- Color of the metal frame of the bleacher – can be any upon request
- Modularity of the construction allows reducing the installation time maximally.
- Unlimited number of modules lengthwise.
- Aisles and stair flights boarding are made of plywood with anti-slip coating in Standard version, and of aluminum flooring with hidden mount system in Premium version
- Possibility to use carpet, linoleum and other finish flooring materials with provision of fire safety certificate.
- Side and rear guards ensures the security of the spectators while getting on and out the bleacher.
- Possibility to manufacture fully customized bleachers.
- Optionally bleachers can be supplied with motor-drive system and remote control.

Standard version



Premium version



Tyumen, Judo Centre



Tyumen, Judo Centre



Saratov, Sports Center



Kazan, Tennis Academy



Kazan, Tennis Academy



Chita, Sports Complex



Moscow, Russian Academy of Theatre Arts - RATI (GITIS)



Makhachkala, Sports Palace n.a. Ali Aliev



Makhachkala, Sports Palace n.a. Ali Aliev



Minsk, «Minsk» Basketball Club



Novosibirsk, Football Arena



Barnaul, «Horizont-1991» Sports Complex



Kazan, Center for Boxing and Table Tennis

Roofs and canopies

Fixed-site roofs are designed for outdoor sports facilities to be used as unfavorable weather conditions protection.

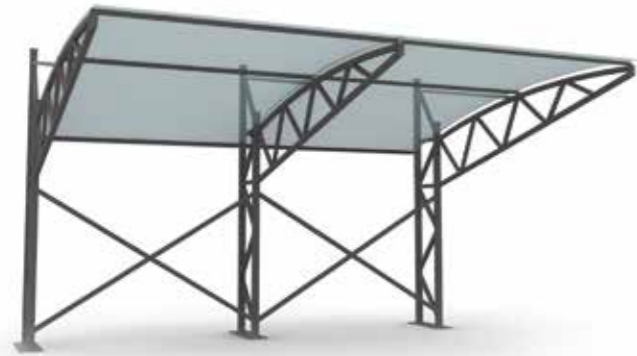
- The roofs and canopies are produced from metal rectangular tubes with polymer coating, which ensures high corrosion resistance
- The roofs are manufactured in accordance with a strength calculation
- Possible roof covers – PVC-fabric, profiled sheeting, polycarbonate.



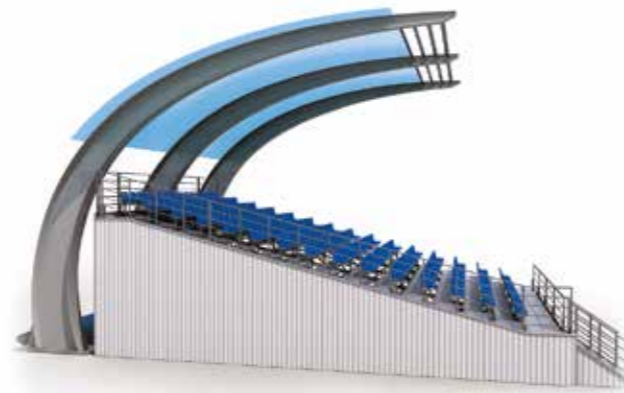
Console type roof



Supports type roof



Console type canopy "Premier"



Kurovskoye,
«Molodyozhnyi» Sports Complex



Izhevsk,
Zoological Garden



Minsk,
«WIMC» Tennis Hall



Zheleznovodsk,
Sports Competition



Ulyanovsk,
«MSK Avtodrom»



Ulyanovsk,
«MSK Avtodrom»



Satka,
«Satka» Football Club



Tambov,
«Lokomotiv» Stadium



Kyzyl,
Central Stadium n.a. 5th Anniversary of Soviet Tuva



Uchaly,
«Gornyak» Central Stadium



Uchaly,
«Gornyak» Central Stadium



Sterlitamak,
Central Square, 65th Anniversary of The Victory Day



Agryz,
Central Stadium



Konakovo,
Central Stadium



Novosibirsk,
Sports Complex

Sports facilities construction works

Design solution for a stadium with capacity up to 12000 spectators on the basis of fast-track stands with supports type roof.



Competitive advantages of the project:

Structural loading for standard stand with roof already calculated and passed through state certification.

Lower budget on general construction works due to usage of 100% ready-to-use metal works.

Lower budget on foundation due to usage of light weight metal works.

Lower terms of setting into operation – manufacturing and installation of the stands alongside with setting up a lawn (from 3 to 7 months depending on capacity (2760 to 12000 seats))

Flexible provision of finance – depending on customer's budget. Multistage construction with setting the stadium into operation after completion of the first stage.

Configuration:

- Stands with lift-up
- Pass-through the stands
- Fan zone fencing
- VIP seats
- Seats for handicapped persons
- Seats and stage for mass media
- Player's tunnel
- Bench for substitutes
- Sportsmen dressing rooms
- Additional utility spaces

Stands layout designs



Design 1

Stands with supports type roof on one side of the football field.

Dimensions 97,8 m x 16,1 m.

Total capacity 2760 seats (can be increased or decreased by request).

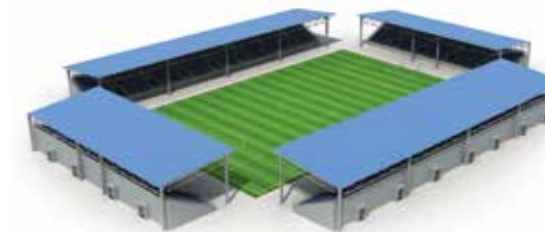


Design 2

Stands with supports type roof on two opposite sides of the football field.

Dimensions 97,8 m x 16,1 m (each side)

Total capacity 5520 seats (can be increased or decreased by request).



Design 3

Stands with supports type roof from fourth sides of the football field.

Dimensions of additional stand 60,1 m x 16,1 m.

Total capacity 8880 seats (can be increased or decreased by request).



Design 4

Closed loop of stands with supports type roof.

Total capacity 12148 seats (can be increased or decreased by request).



Sports facilities construction works

Design solution for a stadium with capacity up to 12000 spectators on the basis of fast-track stands with console type roof.



Competitive advantages of the project:

Structural loading for standard stand with roof already calculated and passed through state certification.

Lower budget on general construction works due to usage of 100% ready-to-use metal works.

Lower budget on foundation due to usage of light weight metal works.

Lower terms of setting into operation – manufacturing and installation of the stands alongside with setting up a lawn (from 3 to 7 months depending on capacity (2760 to 12000 seats))

Flexible provision of finance – depending on customer's budget. Multistage construction with setting the stadium into operation after completion of the first stage.

Configuration:

- Stands with lift-up
- Pass-through the stands
- Fan zone fencing
- VIP seats
- Seats for handicapped persons
- Seats and stage for mass media
- Player's tunnel
- Bench for substitutes
- Sportsmen dressing rooms
- Additional utility spaces

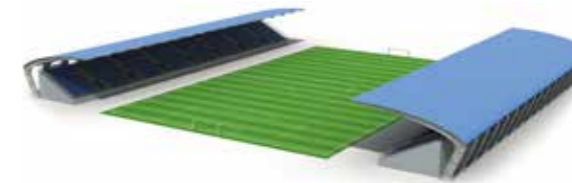
Stands layout designs



Design 1

Stands with console type roof on one side of the football field.

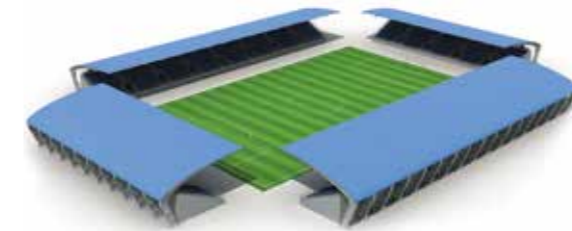
Dimensions 97,8 m x 16,1 m.
Total capacity 2760 seats (can be increased or decreased by request).



Design 2

Stands with console type roof on two opposite sides of the football field.

Dimensions 97,8 m x 16,1 m (each side)
Total capacity 5520 seats (can be increased or decreased by request).



Design 3

Stands with console type roof from fourth sides of the football field.

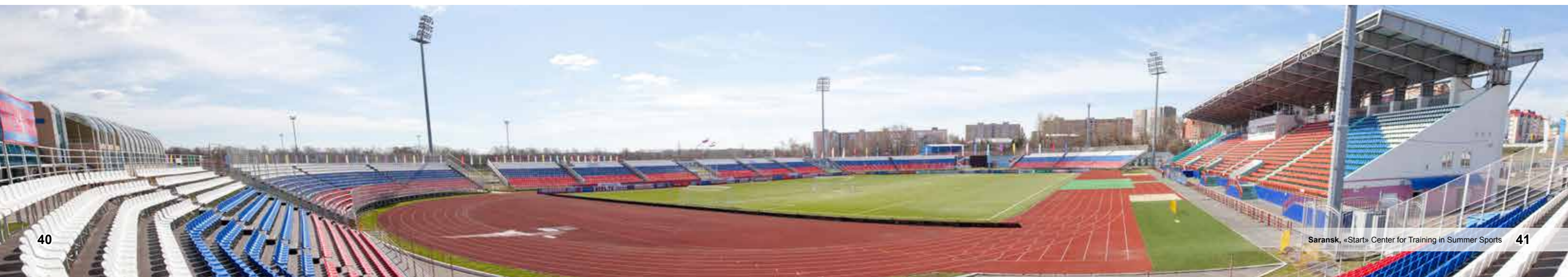
Dimensions of additional stand 60,1 m x 16,1 m.
Total capacity 8880 seats (can be increased or decreased by request).



Design 4

Closed loop of stands with console type roof.

Total capacity 12148 seats (can be increased or decreased by request).



Benches for substitutes

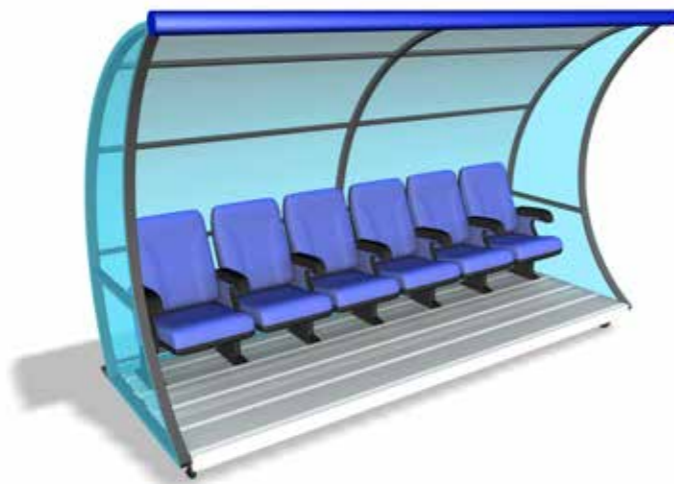
Intended for accommodation of coaches, substitutes, judging panel and to be installed at any types of sports grounds and stadiums.

- Made of metal rectangular tubes with polymer coating, which ensures high corrosion resistance.
- The bench for substitutes is equipped with individual plastic chairs in Standard version, and upholstered weatherproof chairs – in Premium version
- Color of the metal frame, chairs, shed can be any upon request.
- The bench cover is intended for protection from unfavorable weather conditions and can be made of solid or cellular polycarbonate.
- The bench can be equipped with aluminum or laminated plywood flooring in Premium version. Optionally bench can be equipped with castors.
- Simplicity and modularity of the construction allows manufacturing bench for substitutes for any number of seats.
- Meets all FIFA and UEFA requirements

Standard version



Premium version



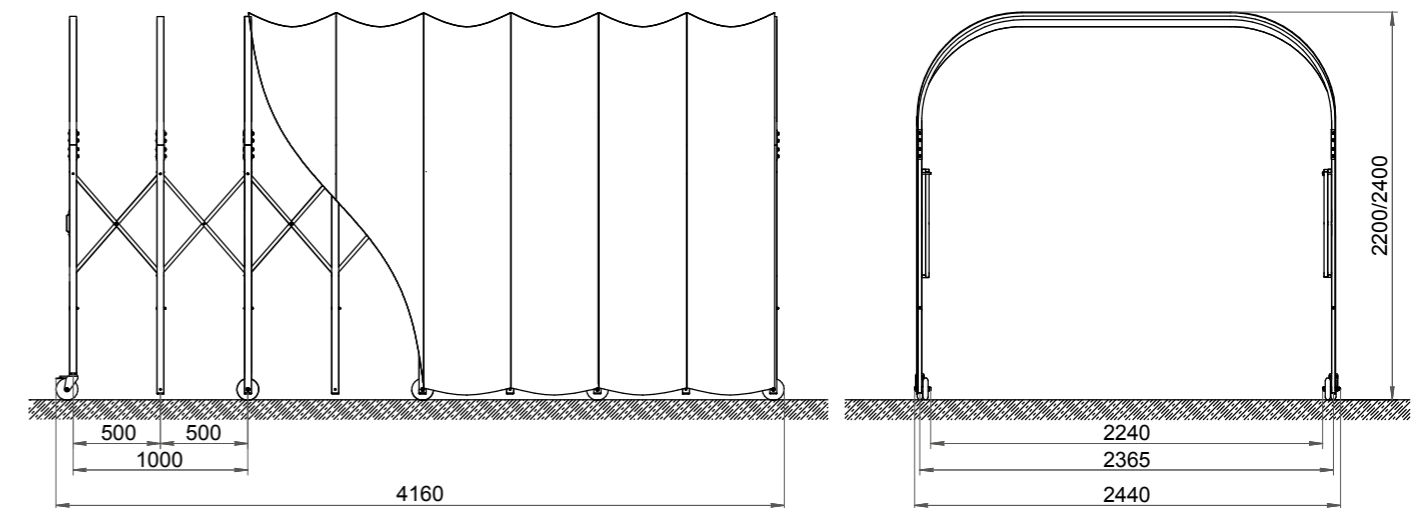
Player's tunnel

The players' tunnel is designed for sportsmen protection during coming in and out of the field.



- The cover is made of PVC-fabric or tent cloth.
- The frame is telescopic and made of metal rectangular tubes with polymer coating, which ensures high corrosion resistance.
- Certificated

Installation schemes and overall dimensions



Donetsk,
«Shakhtar» Stadium



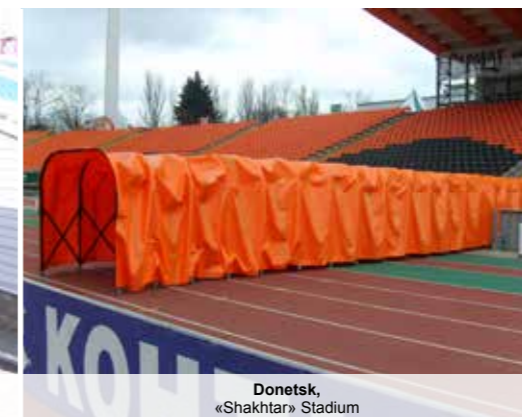
Orsha,
Central Stadium



Yoshkar-Ola,
«Druzhba» Central Stadium



Izhevsk,
Central Republic Stadium



Donetsk,
«Shakhtar» Stadium



Donetsk,
«Shakhtar» Stadium

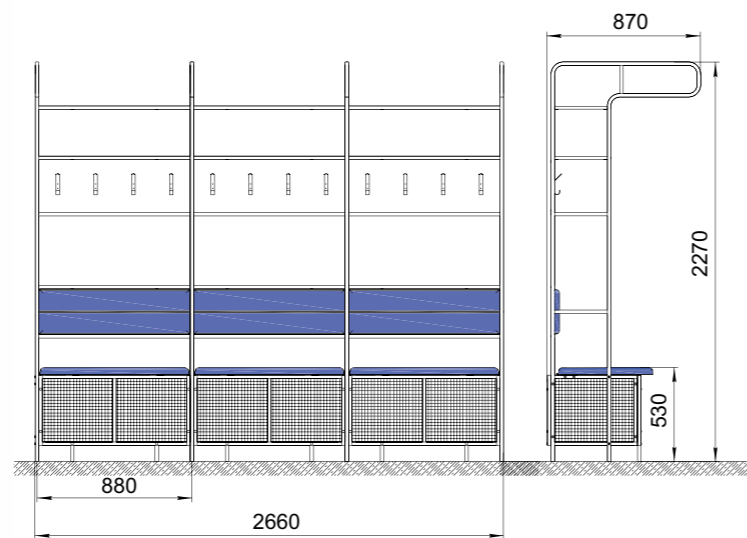
Sportsmen dressing rooms

The product is intended for an efficient arranging the space for dressing of sportsmen, referees, coaches and maintenance staff. It is designed for indoor spaces installation.



- The dressing rooms are made of metal square tubes with polymer coating, which ensures high corrosion resistance.
- Upholstery of seat and backrests are made of durable artificial leather.
- Color of the metal frame, laminated chip boards and upholstery can be any upon request.
- The outfit box has air-ventilated construction.
- Shelves and hooks for clothes allow locating personal belongings of the players efficiently.

Installation schemes and overall dimensions



Dressing rooms

The product is intended for an efficient arranging the space for dressing of sportsmen, referees, coaches and maintenance staff. It is designed for indoor spaces installation.

- The dressing rooms are made of metal square tubes with polymer coating, which ensures high corrosion resistance.
- Color of the metal frame, laminated chip boards and upholstery can be any upon request.

SK-1.2



SK-2.2



SKS-1.2



SKS-2.2



IMSD-1.2



IMS-2.2



IMS-1.2



IMSD-2.2



Nizhnekamsk,
Ice Arena



Stavropol,
Sports Complex



Novosibirsk,
Football Arena



Uchaly,
«Gornyyak» Ice Palace



Uchaly,
«Gornyyak» Ice Palace



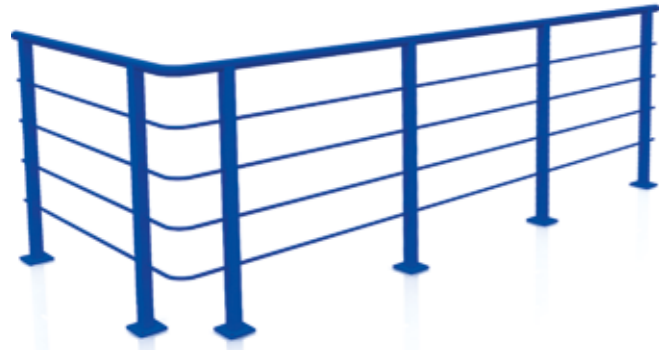
Novosibirsk,
Football Arena

Fencing

Fencing is used for spectators' safety at stadium stands during sport events.

Can be polymer coated or hot galvanized.

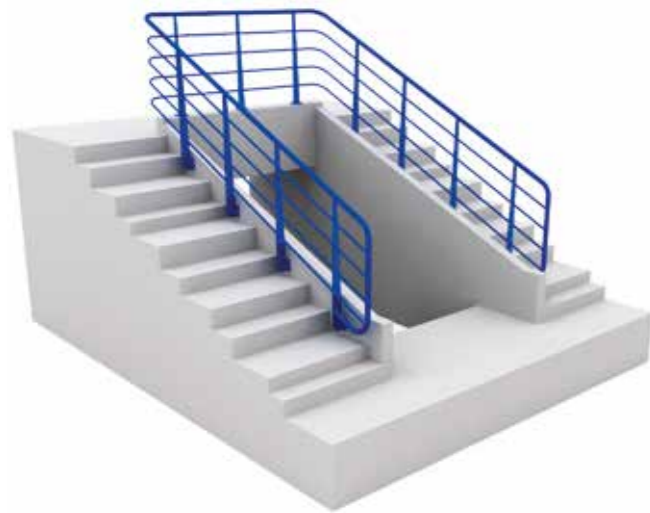
OGR-1



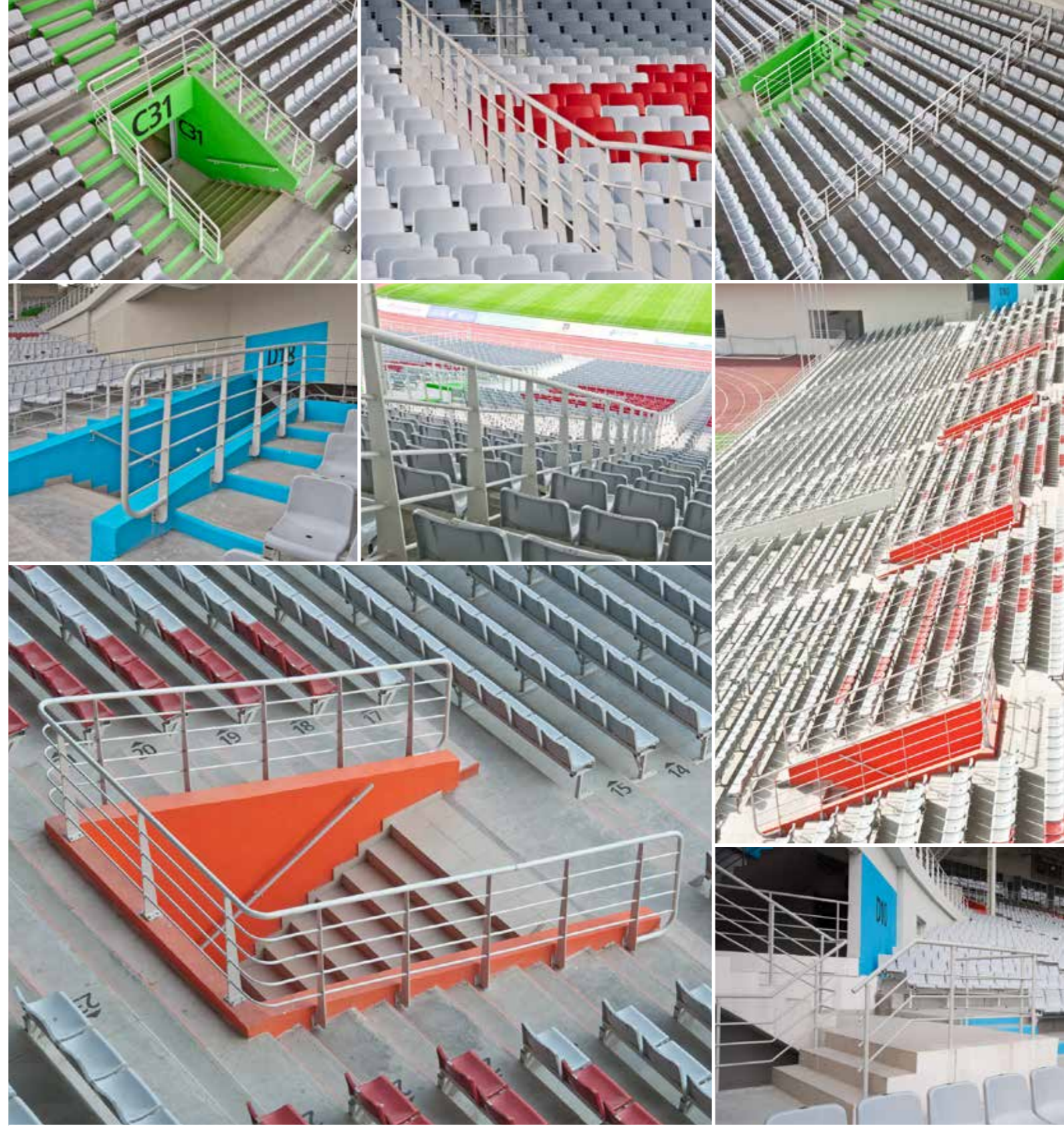
OGR-2



Binding fence



OGR-3



Media desks

Media desks are intended for arranging of mass media representatives both in outdoor and indoor sports facilities (stadiums, ice arenas, sports complexes). Made in two modifications: with and without dividers.

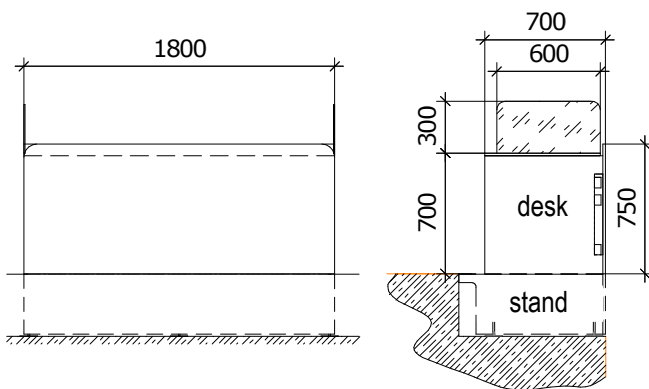
Media desk



Sportscaster desk



Installation schemes and overall dimensions



- Metal frame: hot galvanized or polymer coating of any color upon request
- Tabletop, front and side panels are made of modern material with high water resistance; fire-hazard class – KM 1
- Possibility of installation onto the riser with the application of support frame
- Front panel is a quick removable (to maintain the wires)
- Three rows of 50x50mm cable ducts. Any type of cable inlets on the tabletop upon request.
- Meets all FIFA and UEFA requirements
- The desks can be equipped with stackable plastic chairs in order to provide free access.

Media desk



Nizhny Novgorod
"Nizhny Novgorod Stadium"

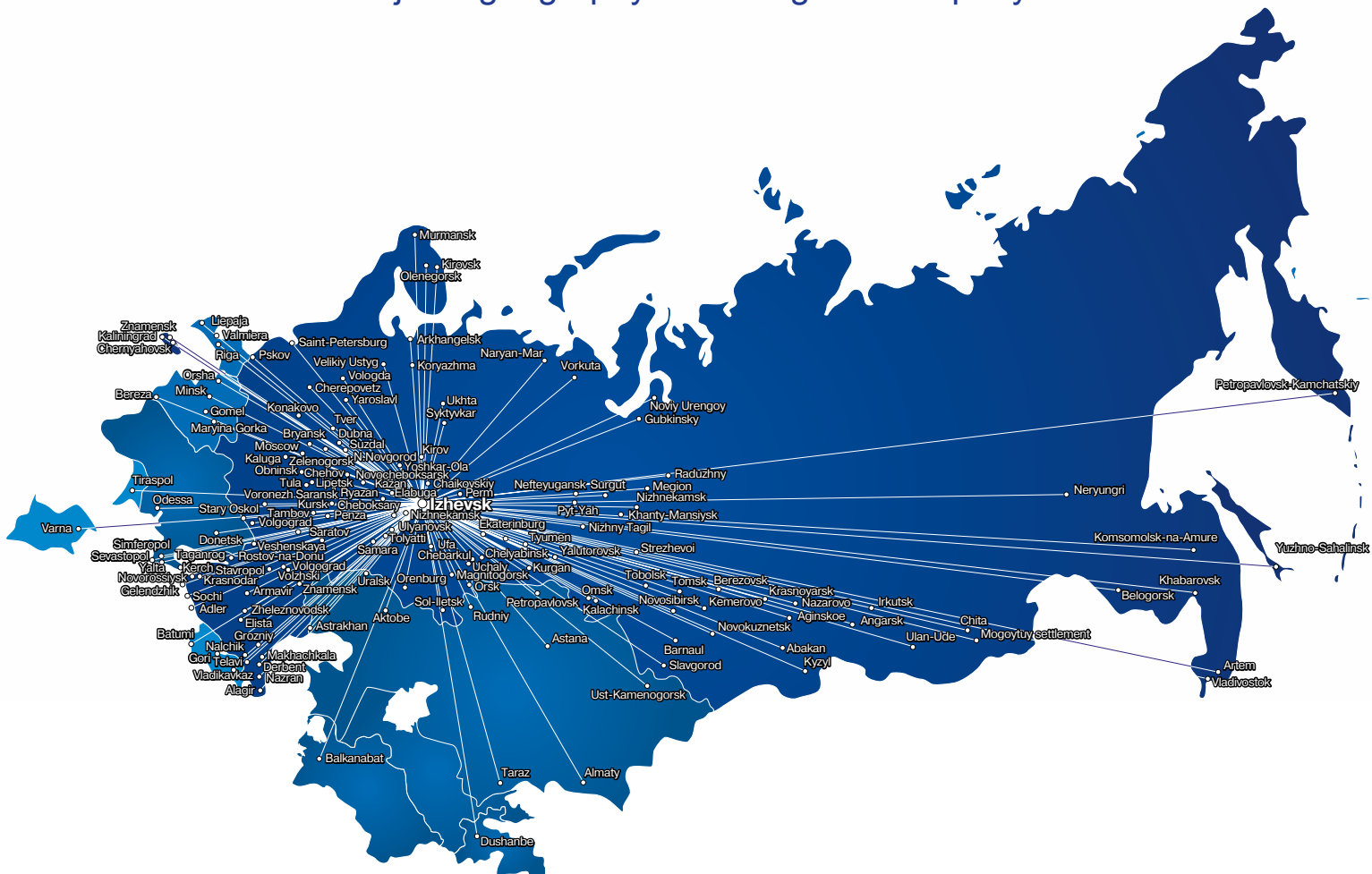
Sportscaster desk



Ekaterinburg
"Ekaterinburg Arena" stadium



Projects geography of "Avangard" company



«Avangard», LLC. 33a, Votkinskoye shosse, Izhevsk, Udmurt Republic, Russia, 426039. Tel.: +7 (3412) 450-891, 450-892, 561-122
e-mail: avg@skavangard.ru www.skavangard.ru